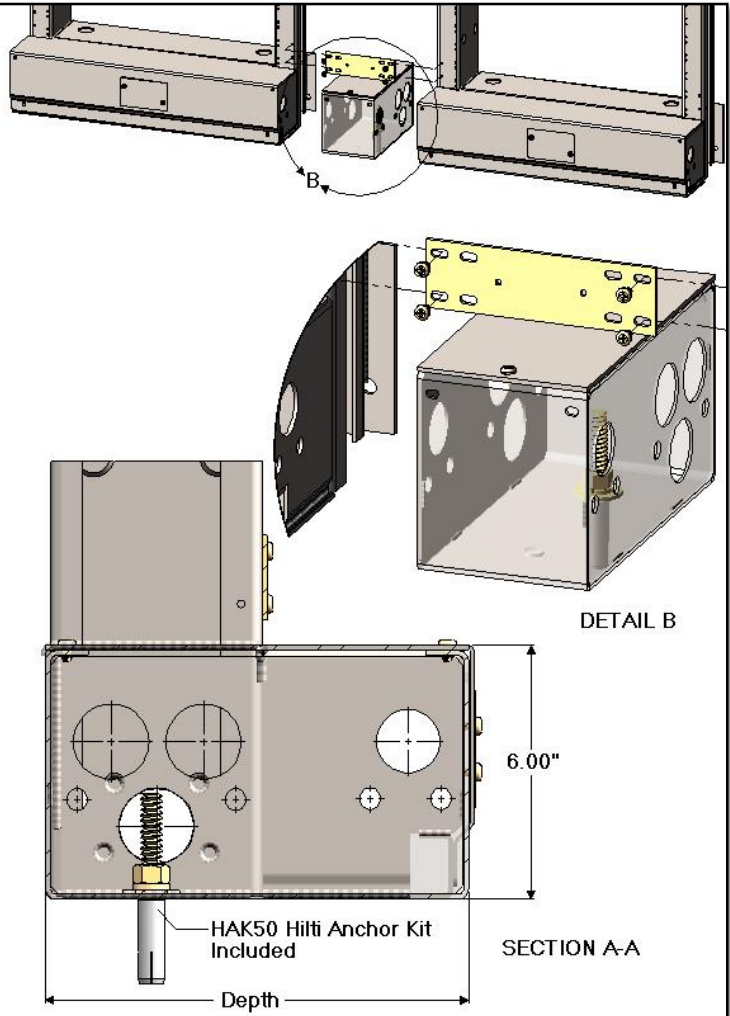
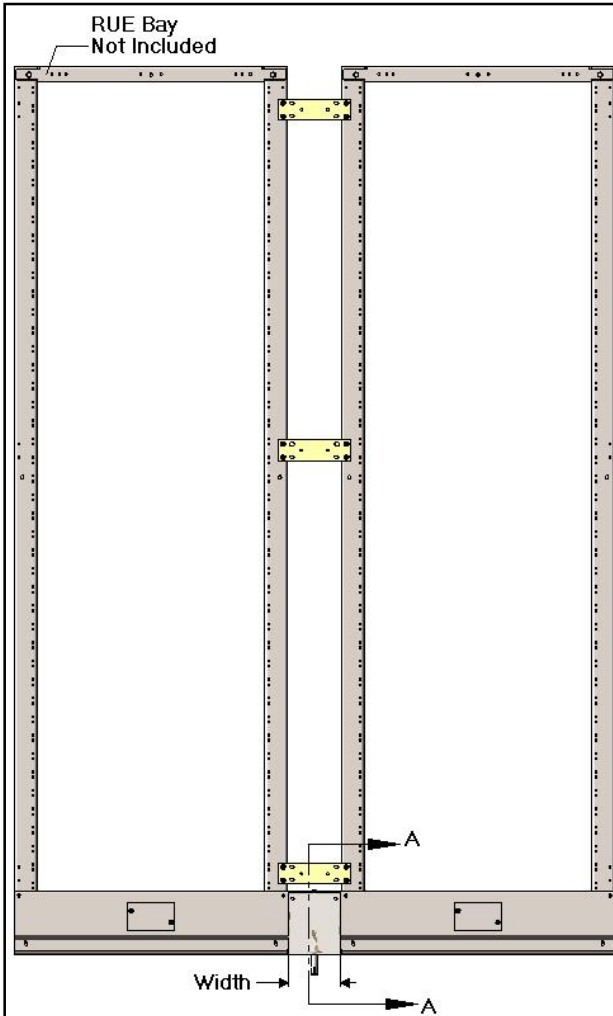




BFU Kit Series - Unequal Flange Base Filler w/ Sides + R5xxZY Series Connection Plates



BFU Kit Series - Unequal Flange Base Filler w/ Sides + R5xxZY Series Connection Plates		
CSF P/N#	Width	Depth
BFU2510xxK	2.50"	10.00"
BFU2512xxK	2.50"	12.00"
BFU2515xxK	2.50"	15.00"
BFU5010xxK	5.00"	10.00"
BFU5012xxK	5.00"	12.00"
BFU5015xxK	5.00"	15.00"
BFU7512xxK	7.50"	12.00"
BFU7515xxK	7.50"	15.00"
BFU1012xxK	10.00"	12.00"
BFU1015xxK	10.00"	15.00"

HAK50 - Hilti Anchor Kit for Base Filler			
Item	CSF P/N#	QTY	Description
1	TR29	1	1/2-13 Threaded Rod x 3.25" Length
2	HN147	1	1/2-13 Hex Nut
3	LW157	1	1/2" Spring Lock Washer
4	FW167	1	1/2" Flat Washer
5	HL336427	1	Hilti HDI 1/2" Drop In Anchor
6	PH0401FST	2	12-24 x 3/8" Length PH Phil Cutting
7	R5xxZYK	1	Connection Kit
8	FW168	1	5/8" Flat Washer [Not Shown]

Notes:

- Kit includes all mounting hardware, Base Filler unit and cover.
- BFUxx10xx [10.00" Depth] does not include HAK50.
- R5xxZY connection plates included.
- Other Sizes available upon request.
- Finishes: See Finish Codes

Specifications subject to change. Please contact CSF Customer Service for more information.